

Technical data sheet

DEPOL 1 DEDUSTER



DEPOL 1 DEDUSTER

Deduster suitable for the extraction and filtration of dust during dry operations entailing welding, grinding, frosting, polishing and laser engraving.

It comes complete with spark-proof inner deflector and a 60L powder recovery tray.

The filter system consists of a BIA-certified hydro/oil-resistant polyester antistatic cartridge that allows a very high degree of separation with a high level of mechanical stability, resistance to humidity and temperature.

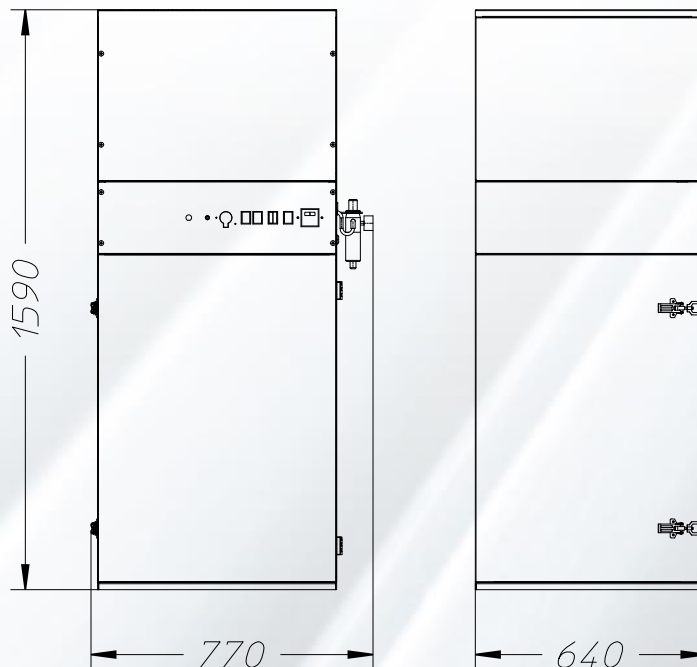
It can be equipped with an automatic cartridge cleaning system using compressed air for backwashing, and as an alternative to the tray, a hopper with a 35L bin.

It can be customized with extraction fittings by diameter and quantity (max. 4 extraction points) and a trolley with an articulated Depurex-Series extraction arm.

STANDARD MACHINE TECHNICAL DATA

Item code	MODEL	DIMENSIONS (L x D x H) mm	POWER [KW]	POWER SUPPLY* [V] - [Hz]	FLOW RATE [m³/h]	NOISE LEVEL [dB(A)]
U35260063	DEPOL 1	770x640x1590	1.5	400 - 50	1000	<70

**Also available in an ATEX version*



Code	Description
U35260063	DEPOL 1 DEDUSTER

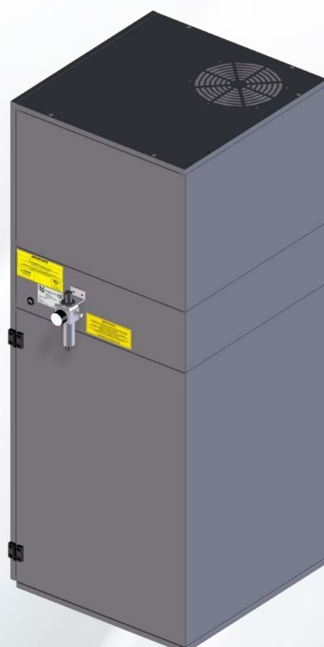
STANDARD FEATURES

-	ELECTRIC FAN 1.5 KW 400V
-	CARTRIDGE
-	POWDER RECOVERY TRAY
-	EXTRACTION CONNECTION Ø120
-	ON-BOARD ELECTRICAL PANEL

OPTIONAL

E14690004	ELECTRIC FAN 2.2 KW 400V
D16300401	H1000 CARTRIDGE X MODIFICATION KIT
T24260024	ACTIVATED CARBON KIT (4 FILTERS, SHELL)
T24260022	ABSOLUTE FILTER KIT (FILTER H14, SHELL)
D16110001	EXTRACTION CONNECTION Ø100
D16110005	EXTRACTION CONNECTION Ø160
G14310002	DIFFERENTIAL PRESSURE SWITCH
S28240051	AUTOMATIC CLEANING KIT
L12100092	HOPPER FOR DEPOL 1
G14310044	HOUR COUNTER
T34230007	DEPUREX 2 EXTRACTION ARM Ø160
T24260020	DEPUREX 2 ARM TROLLEY KIT (excluding arm)
T24260025	DEPOL TROLLEY KIT 1

Further customizations are possible. For information, please contact our sales office.



Here are more illustrative images of the **DEPOL 1 DEDUSTER**

